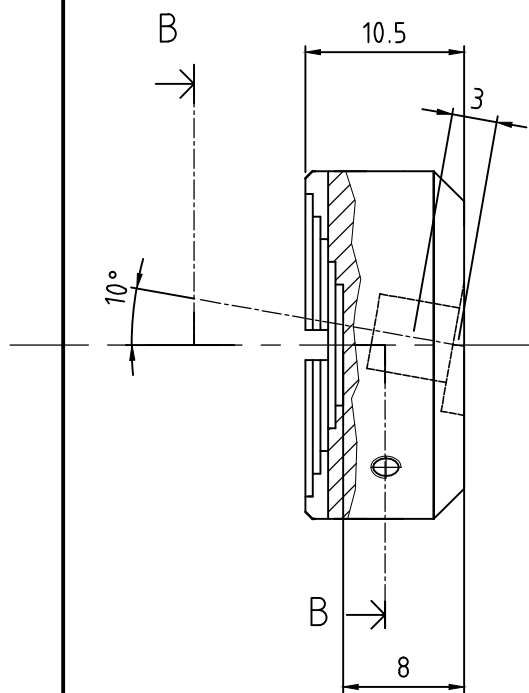
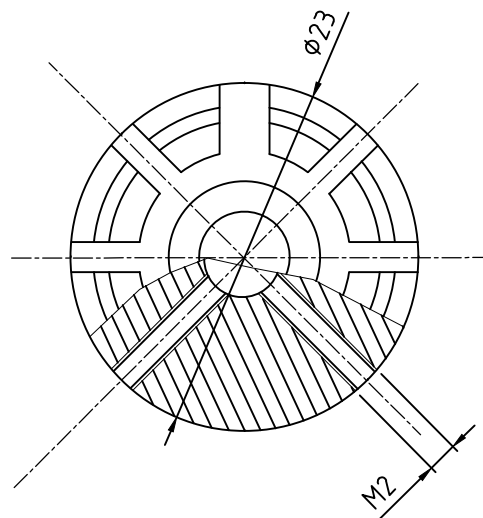


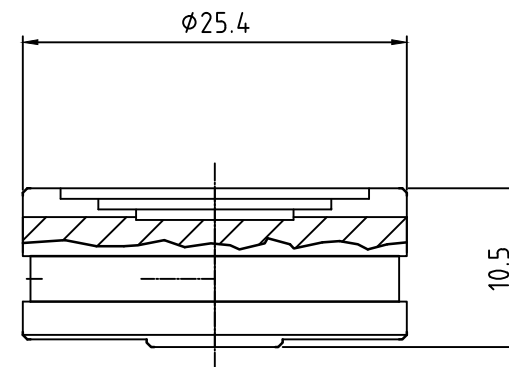
KNOB P/N JT-09



KNOB P/N JT-10

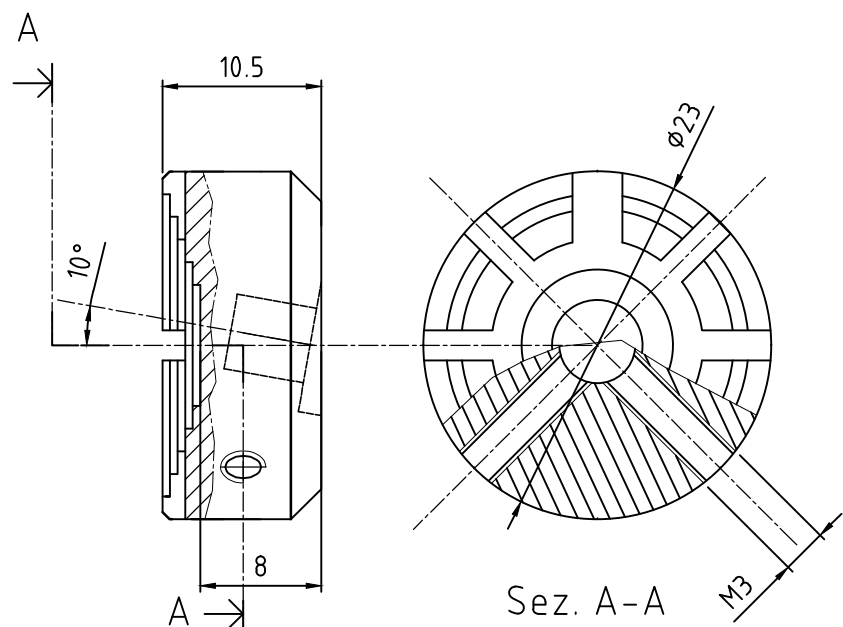


Sez. B-B



KNURLED THUMB KNOB

MODEL JT011



KNOB P/N JT-18

Sez. A-A

REV.	DATE	DESCRIPTION	DRAWN	CONTROLLED	APPROVED
5	04-03-09	CORRETTO QUOTE	RBF		
4	31/10/2005	AGGIUNTO DIA. ESTERNO JT18 ;JT10	RBF		
3	06/05/03	JT-04 ADDED	MB		
3	02/11/02	DRAWING VIEWS ADDED	MB		
2	29/11/02	KNOBS 10,12,13 ADDED DWG. NUMBER MODIFIED	MB		
1	14/02/01	ADDED JT-08 AND JT-09	RBF		

COSTUMER:

SUPPLY:

LEGEND: KNOBS FOR JOYSTICK
SPECIFICATION CONTROL DRAWING

CATEGORY:

MATERIAL:

WEIGHT:

CRITICAL:

TREATMENT:

SPEC. TECN. N° :

SUPERSEDES:

SCALE: 2:1

MODIFIES:

SO.GE.IN.

S.r.l. - VIA BORDIGONA, 9 - MASSA - ITALY
Phone : ++39/585/251616
Fax : ++39/585/251711
E - mail : sogein @ zia . it

ACTION

DATA

NAME

COMPLEMENTARY DOCUMENTS:

DRAWN

02/05/01

RBF

DWG. NUMBER:

SHEET 2/3

CONTROLLED

APPROVED

J-10