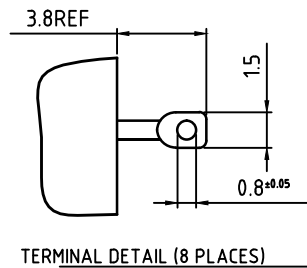
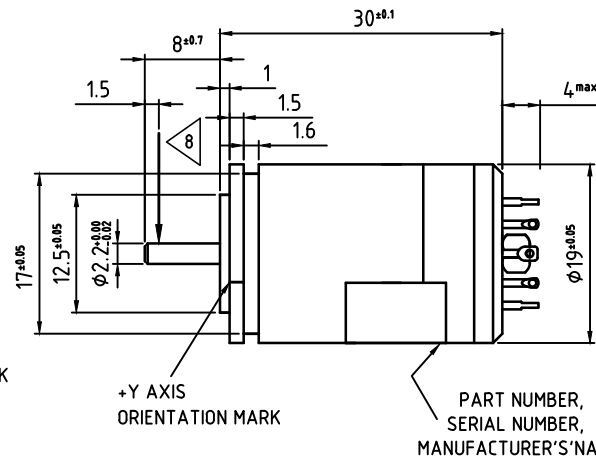
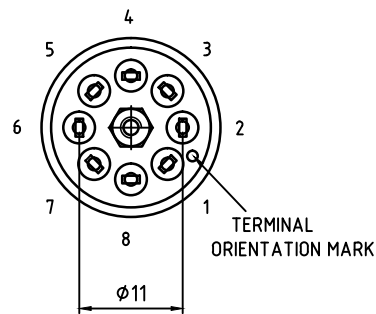
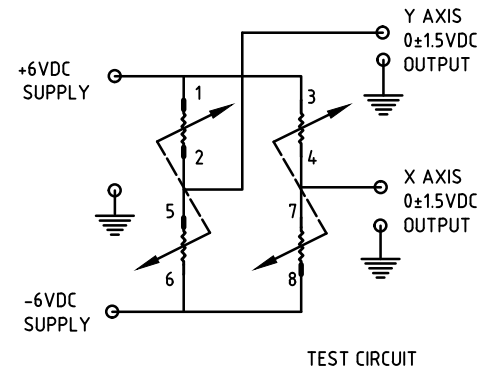


NOTES (further info on Doc. SO.GE.IN.J01)

1. ABSOLUTE MAX EXCITATION IS 6 VDC OR AC RMS ACROSS EACH ELEMENT (0.1W/EL).
2. RESISTANCE OF EACH ELEMENT: 410 ±10% OHM.
3. SENSITIVITY: 0.10 V (±20%) PER NEWTON FORCE FOR TEST CIRCUIT SHOWN (±6V).
4. SENSITIVITY TEMPERATURE COEFFICIENT: ±0.2% PER °C MAX.
5. NULL OFFSET: ±0.18 V MAX FOR TEST CIRCUIT SHOWN (±6V).
6. NULL TEMPERATURE COEFFICIENT: ±0.04% OF FULL SCALE OUTPUT PER °C MAX.
7. NULL HYSTERESIS: ±0.007 V MAX AFTER 5 SECONDS FOLLOWING RELEASE OF 16.3 N APPLIED FORCE, FOR TEST CIRCUIT SHOWN (±6V).
8. APPLIED FORCE: 0 TO 15 N LIMITED BY A MECHANICAL STOP. ABSOLUTE MAX IS 120 N.
9. RESOLUTION: INFINITE, NO DEAD ZONE.
10. CASE MATERIAL: BRASS AND BLACK ANODIZED ALUMINIUM ALLOY.
11. SEAL TYPE: ELASTOMETRIC COATING AND CONDUCTIVE RUBBER BOOT.



POS.	DWG. N°	DESCRIPTION	MATERIAL	UNI	Q.TY	WEIGHT
REV.	DATE	DESCRIPTION	DRAWN	CONTROLLED	APPROVED	
NAME : MINIATURE TWO AXIS JOYSTICK MODEL S 215 SPECIFICATION CONTROL DRAWING			CATEGORY :	SUPERSEDES :		
			CRITICAL :	MODIFIES :		
			SPEC. N° :	SCALE : 2:1	WEIGHT : WEIGHT	
			COMPLEMENTARY DOCUMENTS:			
			COMPLEMENTARY			
			DWG. NUMBER :			
			J04-CD01			
ACTION DATE NAME DRAWN 2/05/01 CONTROLLED APPROVED						
This drawing is exclusive property of SO.GE.IN. S.r.l. (MASSA, Italy) - Copy and transmission are prohibited by the terms of law						