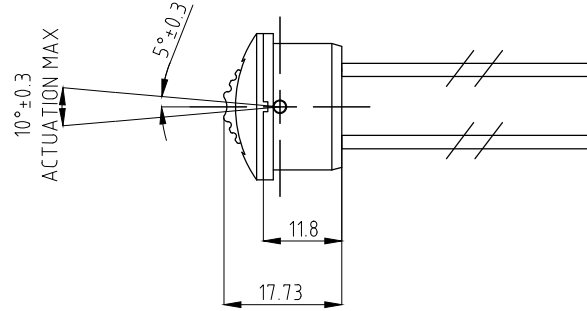
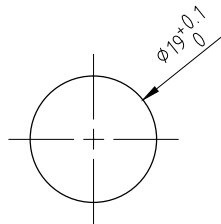
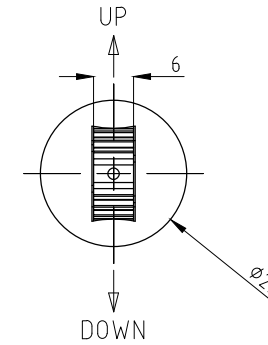
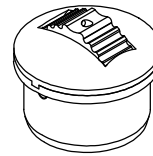


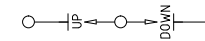
DETAIL PANEL HOLE
SCALE 1:1



ASSONOMETRIC VIEW




SCHEMATIC
DIAGRAM



PHYSICAL CHARACTERISTICS:

BUTTON: BLACK ANODIZED DELRIN
HOUSING: BLACK DELRIN POM 7728

0	18/08/2014	FIRST EMISSION	MV	MD
Rev.	Date	Description	Drawn	Approved
Part description: 2 WAYS TOGGLE SWITCH		Part number: TS-2-19-SA	P/N. rev. 0	USE LM No FIN No
Drawing description: CONFIGURATION DRAWING		Drawing: TS-2-19_CD-SA	Drawing. rev. 0	PA No SL No CA No
 S.r.l. - Via Bolognese, 11 - MASSA - ITALY Phone : ++39/585/251616 Fax : ++39/585/251711 E-mail : sogein@sogein.eu		Action	Date	Signature
		Drawn	18/08/2014	MV
		Checked	18/08/2014	AG
		Approved	18/08/2014	MD
		Model 3D:	TS-2-19-00	
		Unit : mm	Scale: 1:1	Size: A4
		Sheet:	1	of 1
This document may only be used the content of this document is the exclusive property of SO.GE.IN. This document cannot be communicated to third parties or reproduced in whole or in part. SO.GE.IN. will protect its rights under terms of law.				

General tolerances:
+/-0.1

Angle projection:
